



# PIPE EQUIPMENT SPECIALISTS LTD PRODUCT SUMMARY

## PIPE BEVELLING MACHINES



## PIPE CUTTING MACHINES



## PIPE ALIGNMENT CLAMPS



## PIPE STANDS & ROLLERS



## PIPE PURGING EQUIPMENT



## PLATE BEVELLERS





## PIPE EQUIPMENT SPECIALISTS LTD

**FROM PIPE CUTTING, TO BEVELLING, TO ALIGNING, TO PURGING, TO HANDLING: TAG PIPE OFFER THE SOLUTIONS AND EXPERTISE TO MAKE YOUR JOB FASTER, EASIER, MORE ACCURATE AND MORE EFFICIENT FOR BOTH WORKSHOP AND ON SITE ENVIRONMENTS.**

With more than 30 years experience in the manufacture and supply of pipework fabrication machinery, tools and handling equipment and due to our consistent high level of quality, both in our products and service, **TAG PIPE EQUIPMENT SPECIALISTS LTD** are pleased to be recognised as one of the worlds leading manufacturers and suppliers of:

### PRODUCTS:

- Pipe Beveling Machines
- Pipe Cold Cutting Machines
- Pipe Flame Cutting and Beveling Machines
- Pipe Alignment/Welding Clamps
- Pipe Jack Stands
- Pipe Purging Equipment
- Pipe Tools
- Pipe Stoppers
- Plate Beveling Machines
- Manipulation Equipment

Our products are used in both workshop and on-site environments across various Industries worldwide including:

### INDUSTRIES:

- Oil And Gas
- Pipelines
- General Fabrication
- Offshore Welding
- Ship Building
- Vessel Manufacturing
- Power Generation
- Boiler Industry
- Petrochemical
- Pharmaceutical
- Refineries
- Turbine
- Nuclear
- Heat Exchangers
- Dairy
- And Many More...

With offices and warehousing on 4 continents and more than 120 distributors worldwide **TAG PIPE** prides itself on consistently offering the highest standard of service to our customers. We work extremely hard supporting and training our network of distributors to ensure that from **TAG PIPE** you receive the:

### CUSTOMER SERVICE:

- Highest Quality Products
- Fastest Response Times
- Quickest Delivery Times
- Competitive Prices
- Most Knowledgeable & Accurate Advice
- Committed After Sales Support
- Innovative And Ever Improving Designs and New Products



## TAG PIPE RENTAL DIVISION

**TAG PIPE EQUIPMENT SPECIALISTS LTD** operate a Full, Worldwide Hire & Rental Service, and are world leading supplier to many of the world's leading power utilities companies and sub-contractors, utilising our extensive range of pipework fabrication equipment. Our hire fleet is constantly expanding and improving. A new investment in a tailored hire software system has been made to simplify all of your hire needs. Please contact our Hire Department via any of these means:

**Tel: +44 (0) 1869 324 144**  
**E-mail: [hire@tag-pipe.com](mailto:hire@tag-pipe.com)**



**[www.TAG-PIPE.com](http://www.TAG-PIPE.com)**

*Our company policy is one of continuous improvement. Products may change or vary from those illustrated.*

# PIPE BEVELLING MACHINES

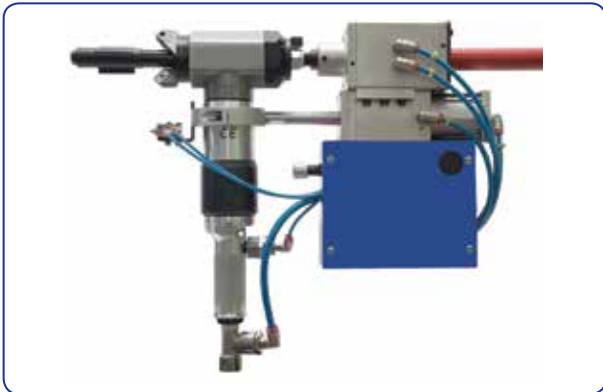


## TAG Pipe Beveling Machine PREP 2

**½" – 1½"**  
**12.5mm – 42mm i/d**

The smallest in our range of i/d locking, direct in-line feed end prep machines. The PREP 2 is small, lightweight, yet powerful, in electric (110v or 220v), or pneumatic drive form.

Simultaneous external & internal beveling and facing of pipe tubes is simple, ideal for accurate repetitive work. Its size, power, and functionality, make it extremely popular in high volume heat exchanger work, tube facing, weld removal, and J-prepping of the tube plate.



## TAG Pipe Beveling Machine PREP 2 Auto

**½" – 1½"**  
**12.5mm – 42mm i/d**

The PREP 2 Auto is a unique machine designed specifically for tube end facing, seal weld removal of tubes in heat exchangers and condensers and the "j-prepping" of the tube plate. The automatic locking, cutting and unlocking of this machine using the foot pedal supplied dramatically reduces production time.



## TAG Pipe Beveling Machine PREP 3

**1" – 3"**  
**28mm – 76mm i/d (optional 20mm)**

The PREP 3 is one of our most popular i/d locking, in-line feed end prep machines. The Prep 3's power to weight ratio, in electric (110v or 220v), or pneumatic drive form is unrivalled.

Simultaneous external & internal beveling and facing of tubes can be performed with ease for accurate repetitive work. Its size, power, and functionality, makes it extremely popular in high volume boiler repair and maintenance work, tube facing, weld removal, and J-Prepping of the tube plate.



## TAG Pipe Beveling Machine PREP 4

**1" – 4"**  
**20mm – 108mm i/d**

The PREP 4 is a very popular versatile machine that is robust and extremely powerful. Used in many industries but commonly found in tough in-situ environments, such as power station shut downs.

The PREP 4 boasts an increased locking range of 1" to 4" i/d and is available in pneumatic or electric. Optional accessories include an automatic locking device for high volume repetitive work, and elbow locking shafts for the beveling of elbows and fittings.

**PREP 4 Heavy Duty available upon request**



## TAG Pipe Beveling Machine PREP 8

**2" – 8"**  
**50mm – 203mm i/d**

One of our most powerful and popular small diameter i/d locking, in-line feed end prep machine. This is mainly due to its impressive 2" to 8" working range and unrivalled power.

The PREP 8 is a portable, one man operation machine, its power to weight ratio, and offset 4 jaw tool holder (chuck) allows use of up to 4 insert or form tools to enable simultaneous external, internal beveling of even the heaviest wall pipe & tube, on site, or in the fabshop.

**PREP 12 available upon request 3" – 12" (75mm – 305mm i/d)**

# PIPE BEVELLING MACHINES



## TAG Pipe Beveling Machine PREP 16

2.8"–16"  
72mm–406mm i/d

The PREP 16 is the first in TAG's new range of a heavy duty large diameter beveling machines.

Offering ratchet i/d jaw locking, as well as Ratchet bevel feed control for effortless heavy wall preps. Offered with a 3 HP pneumatic or 1750 Watt electric motor any bevel geometry can be performed with in the impressive 3-16 inch range. J-preps, counter boring, and facing can all be performed, simultaneously. Due to its light weight, yet unrivalled power, the Prep 16 is ideal for on-site, off shore, nuclear, and other applications where precision welds are required at an incredible value.



## TAG Pipe Beveling Machine PREP 20

4"–20"  
100mm–500mm i/d

The PREP 20 is an extremely powerful beveling machine, designed to give long life and accurate weld preparations in tough in-situ or engineering workshop environments.

Fully torque reacted throughout its complete range, it uses one centre heavy duty 4" locking shaft with built in plug jaws for rapid set up. Change over time from one diameter to another is achieved quickly and simply.

The PREP 20 is available in pneumatic or with a 3200 Watt Heavy Duty Electric motor.



## TAG Pipe Beveling Machine PREP 24

7"–24"  
180mm–609mm i/d

A powerful, Heavy Duty Electric or pneumatic motor drives a reduction gearbox converting 3.5 HP into 12500 Nm of torque!! Rigidity and unrivalled beveling strength are ensured with a 5.9" Locking Shaft with built in plug jaws, a bolt in 6 point locking system allows the PREP 24 allows the unit to cover an impressive range of 7" to 24"!!

Both locking and feeding are controlled by ratchet, enabling the operator to lock into the pipe in seconds, and provide a consistent bevel feed, for the perfect surface finish, even on heavy wall pipes.



## SPBM (Stationary Pipe Beveling Machine)

2"–48"

The SPBM range of stationary pipe end beveling machines are specifically designed for production of end bevels on pipes, quickly, accurately and simply.

Thanks to the stability of the SPBM Machines, every end prep is identical. These machines are the answer to Pipe Fab shop requirements for maximum productivity. All materials of pipe can be bevelled. Machines can be supplied as manual, or electrically automated locking and feeding versions.

NEW



## TAG High Speed Cutting & Beveling Machine

2"–24"

Automated, super fast, CNC operated pipe cutting and double beveling machine. The perfect machine for bulk pipe work prefabrication. This machine has fully automated front and back clamping systems, automatic feeding, built in coolant system, all being controlled by a touch screen computer with programmed easy to use preset parameters for all jobs.

# PIPE CUTTING MACHINES

NEW



## TAG 'E-Z' Fab - Pipe Cutting & Beveling Machine

1/2" - 30"

A self-centering, semi portable heavy duty dedicated Pipe Cutting & Beveling machine.

Operated via a Touch-Screen Delta Control, delivering signal to a Heavy Duty Servo Motor, giving the 'E-Z' Fab unrivalled power & torque, for heavy duty material and wall thickness applications.

Never before has heavy duty process pipe cutting been so easy.

**6" 22mm Wall thickness Pipe - Loaded into machine, cut, and bevelled. In 6 minutes 20 seconds!!!**

Available in 110v or 220v.



## TAG Pipecut Orbital Pipe Saws

1/4" - 12" (6-300mm)

The TAG Pipecut Bench Mounted Orbital Pipe Saws are the low cost and practical solution to cut almost all types of metal pipe. Cutting is executed by manually rotating the machine around the pipe. The pipe is cut with one rotation. It is powered by a powerful and sturdy electric motor equipped with speed regulator. The pipe saws produce a square, burr-free cut that does not require any further dressing.

Three models are available in the range, The TAG Pipecut 4 (1/2" to 4 1/2"), The TAG Pipecut 8 (6"-8") and The TAG Pipecut 12 (8"-12"). The TAG Pipecut 8 and TAG Pipecut 12 are available with a motorization kit, which will rotate and cut the pipe automatically.



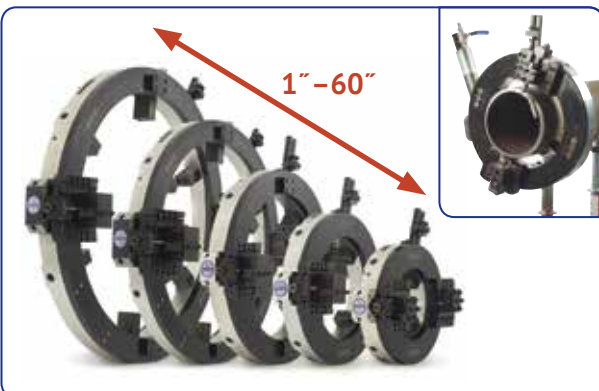
## TAG 'E-Z' Pipe Saw

1" - 24" o/d (25-600mm)

A powerful reciprocating saw, ideal for use on site.

The lightweight construction and ease of set up makes the 'E-Z' Saw ideal for site work applications. By using the pipe locking vice or chain locking device the 'E-Z' Saw produces square cuts. The 'E-Z' Saw is also capable of mitre cutting angles of up to 45 degrees on up to 4" pipe. Using the correct blades most materials can be cut including stainless steel and duplex.

The 'E-Z' Saw is available in pneumatic and electric.



## TAG Cutting and Beveling Machines Lightweight Aluminium Split Frame Clamshells

1" - 60"

The TAG Clamshell range of portable cold pipe cutting and beveling machines are designed for ease of use, even in difficult situations. Thanks to their low profile frame they are the perfect machine for use when access to the pipe is restricted.

The TAG range of Cut & Prep Clamshells are available with pneumatic, electric and hydraulic motors, and will cover a range from 1" to 60" o/d (6" range per ring). Larger sizes are available on request. Cutting and beveling can be performed simultaneously, any type of weld prep can be achieved including compound angles and "j-preps".



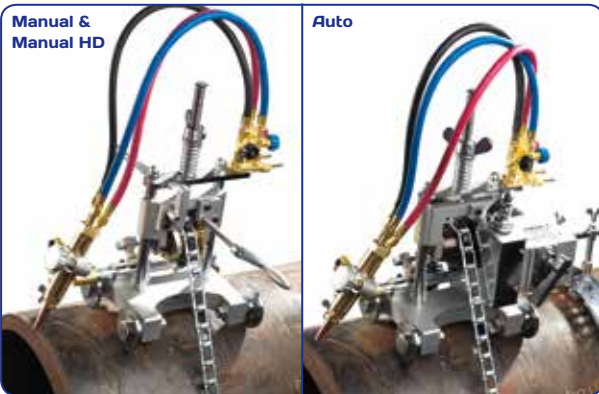
## TAG Cutting and Beveling Machines Heavy Duty Split Frame Clamshell

1" - 108"

TAG also manufacture heavier duty steel construction split frame cutting & beveling machines. Rugged in design, and built to stand up to the most arduous of site conditions.

Available in pneumatic, electric and hydraulic power supplies, the TAG HD Clamshell Cut & Prep machines can cut and bevel pipes of almost any wall thickness and any material.

# PIPE FLAME CUTTING MACHINES



## TAG 'E-Z' Pipecut Manual & Manual HD

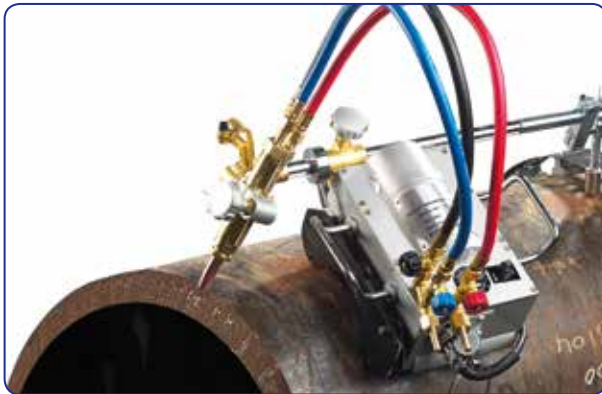
4" upwards

TAG's 'E-Z' Cut portable flame cutting and bevelling chain driven machines are the economical solution for cutting and bevelling pipe from 4" upwards. The 'E-Z' Cut is small and compact, strong and reliable. This machine is manually hand cranked around the pipe by the operator.

## TAG 'E-Z' Pipecut Auto Flame Cutter

4" upwards

TAG's 'E-Z' Cut is also available as an automatic model. Driven around the pipe by an electric motor with a remote control, once the speed is set correctly to the wall thickness of the pipe the 'E-Z' Cut Auto will cut and bevel the pipe without the need for intervention from the operator. Available in 110v or 240v power.



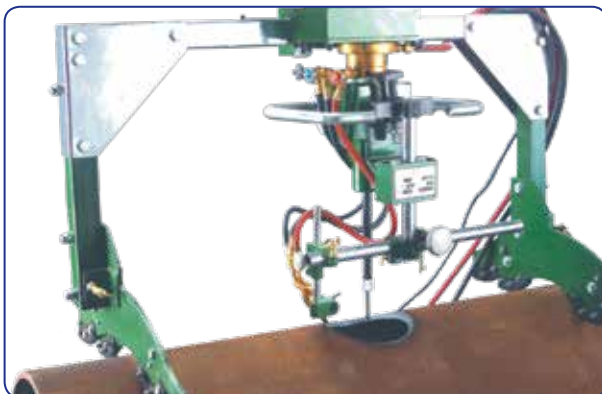
## TAG 'E-Z' Pipecut Magnetic Flame Cutter

4" upwards

A new addition to TAG's Flame Cutting range is the 'E-Z' Cut Magnetic, two sets of magnetic rollers are built into the machine body to hold the machine to the pipe as cutting and bevelling is performed. The TAG 'E-Z' Cut Magnetic can be used for parallel, vertical and inverted cutting. The machine body is made from aluminium making the 'E-Z' Cut Magnetic lightweight, yet durable.

TAG offer a guide band assembly to ensure 100% square cuts & bevels on pipe diameters above 16".

Available in 110v or 240v power supply.



## TAG 'E-Z' Pipecut Hole Cutter

up to 40"

TAG's 'E-Z' Cut Hole Cutter is designed for cutting precise T-joint circles, or any hole on the surface of pipes, pressure vessels and heat exchangers. This can be done from the inside or the outside of the vessel.

Easy to operate, lightweight and compact in design, the 'E-Z' Cut Hole Cutter will also cut and bevel holes into flat plates.

Available in 110v or 240v power supply.

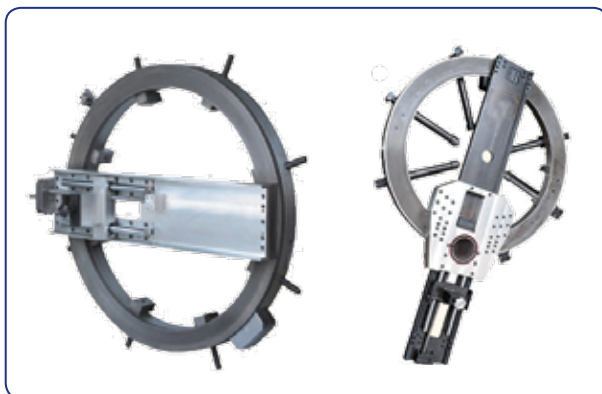


## TAG 'E-Z' Pipecut Saddle Machine

1½" – 48" o/d

Designed for cutting and beveling fish mouths, shapes and contours on pipes. Our Short saddle machines are the only single piece, short saddle machine on the market, providing you with consistently square and accurate cuts – cut after cut – year after year. Our short saddle machines can be used for plasma or water jet cutting in either the vertical, or horizontal position. They are designed to be dropped on the pipe like a saddle or slipped on from the end.

NOTE: ALL TAG 'E-Z' CUT MACHINES CAN BE SUPPLIED FOR USE WITH OXY-ACETYLENE OR PROPANE. ATTACHMENTS TO SUIT PLASMA TORCHES ARE ALSO AVAILABLE FOR CERTAIN MODELS



## FLANGE FACING MACHINES

i/d & o/d locking available

0" – 275"

TAG offer an extensive range of both i/d and o/d locking machines, for flange facing, seal groove machining, weld preparation and counter-boring. The TAG Range of Flange Facers feature innovative locking and self centering (on certain models), combined with multi-position motor for power transmission, enabling unmatched rigidity compared with similar machines, especially in applications on larger diameters where greater accuracy can be guaranteed.

Variable auto feed for radial and axial movements make the TAG Flange Facing machines ready for any on-site repair.

# PLATE BEVELLING MACHINES



## TAG Plate Bevel Pro 18

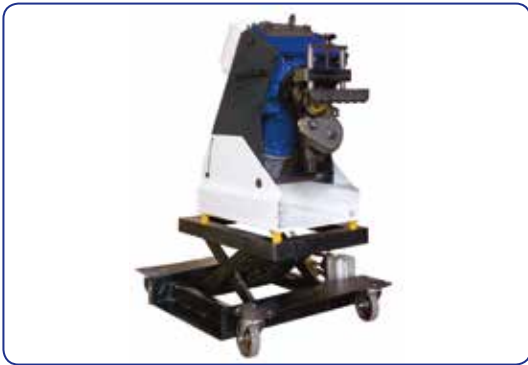
**1/4" - 1 1/2" Plate thickness**

**18mm max bevel width**

The TAG Plate Bevel Pro 18 is our most popular portable plate edge beveling machine. As with all models the TAG Plate Bevel Pro18 offers automatic self feeding of the plate when beveling small strips or, once positioned on a large plate will travel along the edge with no requirement for intervention by the operator. Angles from 22 1/2 to 55 degrees can be machined without any additional accessory.

The TAG Plate Bevel Pro 18 is fitted with a two speed motor, enabling the operator to reduce the speed according to the material to be machined, thus dramatically increasing the life of the milling tool when beveling stainless steel and more exotic materials.

The TAG Plate Bevel Pro 18 is also available as an upside-down version.



## TAG Plate Bevel Pro 28

**5/16" - 2" Plate thickness**

**28mm max bevel width**

The TAG Plate Bevel Pro 28 gives a clean, bevelled, weld ready surface with no thermal distortion saving time and money. As with all models the TAG Plate Bevel Pro 28 offers automatic self-feeding.

The TAG Plate Bevel Pro 28 can bevel radii and curved plate such as a pre-rolled vessel/heat exchanger.

The TAG Plate Bevel Pro 28 is fitted with a two speed motor, enabling the operator to reduce the speed according to the material to be machined, thus dramatically increasing the life of the milling tool when beveling stainless steel and more exotic materials.

The TAG Plate Bevel Pro 28 is also available as an upside-down version.



## TAG Plate Bevel Pro HS-50

**2 Plate Beveling Machines In One!!!**

**5/16" - 2" Plate thickness**

**50mm max bevel width**

The most powerful high speed portable plate edge beveller in the world, the HS-50 is capable of beveling plate thicknesses of up to 70mm with a maximum bevel width of an incredible 50mm - at any angle from 15° to 60°!

**THE HS 50 CAN BEVEL THE TOP, OR THE UNDERSIDE OF THE PLATE, DUE TO ITS UNIQUE 3D CRADLE.**

Using a high speed milling head with tungsten carbide inserts, the HS-50 leaves a superior mirror finish, bevel, perfect for welding and also cosmetic purposes, such as ramps or floor plates. When you need big bevels, on heavy plate, the TAG Plate Bevel Pro HS-50 is the answer.



## PMM155 Handheld Plate Beveller

**From 1.5mm Plate thickness**

TAG's range of handheld beveling machines are the most durable and versatile on the market. The range is capable of beveling and radiusing straight edges, shapes and contours, holes, from 10° to 60°.

Using tungsten carbide inserts the machines can bevel from 1.5mm up to 40mm on Aluminium plate, and an impressive 16mm on Carbon & Stainless steel!!

These units can also be used for dressing and de-burring, and is available with a range of radius heads and inserts. Available in pneumatic and electric (110v or 240v).



## PMM200 Handheld Plate Bevellers

**Plate thickness 6mm - 60mm**

The PMM200 is a new generation, easy to use, portable, heavy duty machine designed for beveling steel plates prior to welding. This beveling machine is fitted with two milling heads each holding six inserts, allowing smooth operation and exceptional efficiency.

The PMM200 incorporates many safety features. It has a state of the art electronic control module protecting the operator, machine and tools. It is equipped with guide rolls, which make it easy and light to operate.

TAG have now released the PMM200SS Model, this model is dedicated to the beveling of stainless steels, and other harder materials.

# PIPE STANDS



## TAG Fixed Pipe Tri-Stands

Our Fixed Pipe Stands are the best on the market, constructed from box section for strength and safety.

**Pipe Size Capacity: 1" – 12" (Optional up to 24")**

**Pipe Load Capacity: 1.5 Ton / 1,585kg / 3,500lbs**

**Height Adjustable: 27" – 48" (69 - 122cm)**

Our pipe stands are available with a choice of slip-on, or interchangeable head styles for rotation or transferal movement of pipe and plate. Our range of pipe stands are the cost effective solution to any pipe handling problem.



## TAG Folding Pipe Tri-Stands

Designed with folding legs for easy storage and transportation and constructed from box section, giving identical strength and performance as our fixed stands.

**Pipe Size Capacity: 1" – 12" (Optional up to 24")**

**Pipe Load Capacity: 1.5 Ton / 1,585kg / 3,500lbs**

**Height Adjustable: 27" – 48" (69-122cm)**

Our pipe stands are available with a choice of slip-on, or interchangeable head styles for rotation or transferal movement of pipe and plate. Our range of pipe stands are the cost effective solution to any pipe handling problem.



## TAG Duo Pipe Stands

The Duo Pipe Stands are height adjustable and use the quick 'change' self centering style heads, which can be locked to hold the pipe in position.

**Pipe Size Capacity: 2" – 48"**

**Pipe Load Capacity: 2.4 Ton / 2,400kg / 5,300lbs**

**Height Adjustable: 27" – 48" (69-122cm)**

Roller wheel heads are available for rotation and ball bearing heads for transferral movement of both carbon and stainless steel pipe.



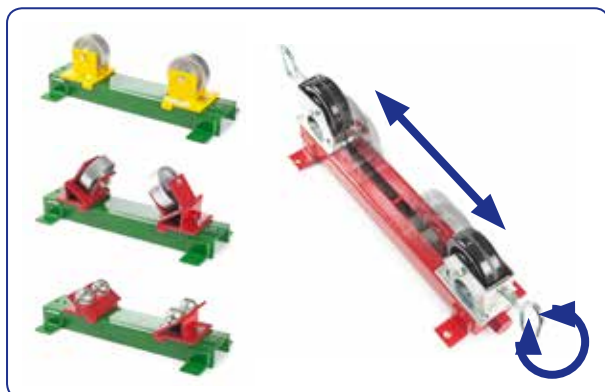
## TAG Quattro Pipe Stands

**Pipe Load Capacity: 2.2 Ton / 2,265kg / 5,000lbs**

**Pipe Size Capacity: 1" – 36"**

**Height Adjust: 24" – 44" (61-112cm)**

The Quattro Pipe Stands are the solution to heavy duty pipe handling. They can be supplied with lockable castor wheels so pipe can be moved around a workshop or site, without using a crane or forklift. Head styles are available for rotational or transferral movement.



## TAG Floor/Bench Mounted Pipe Stands

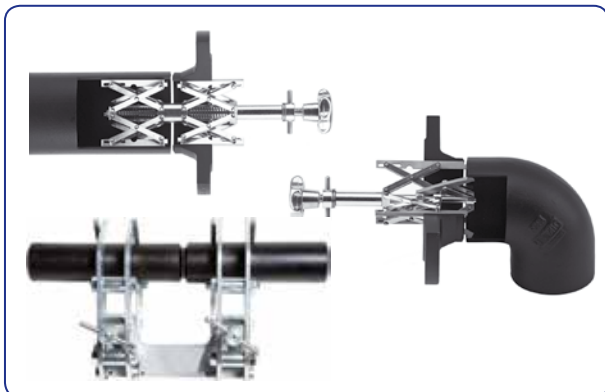
**Pipe Load Capacity: 2.45 Ton / 2,450kg / 5,400lbs**

**Pipe Size Capacity: 2" – 48"**

These stands are designed to be either floor or bench mounted. Available with 4 head styles to suit pipe from 2" to 48". The floor/bench stands can be used for pipe rotation, transferral movement, or both using the ball transfer head option. Nylon wheels are also available when working with stainless steel and other exotic materials to prevent contamination.



# PIPE ALIGNMENT CLAMPS



## TAG 'E-Z' Fit Spider Internal Alignment Clamps

10mm–940mm i/d

A new addition to our range of welding fit-up clamps is the Spider series of internal clamps, these i/d locking clamps enable one man operation in the fit-up of a variety of fittings, including elbows, flanges, T-Pieces from 10mm to 940mm i/d.

The unique locking system enables the operator to make minor adjustment to the fit-up prior to welding. When you need rapid and precise fit-ups, the Spider Series of pipe clamps are the answer.

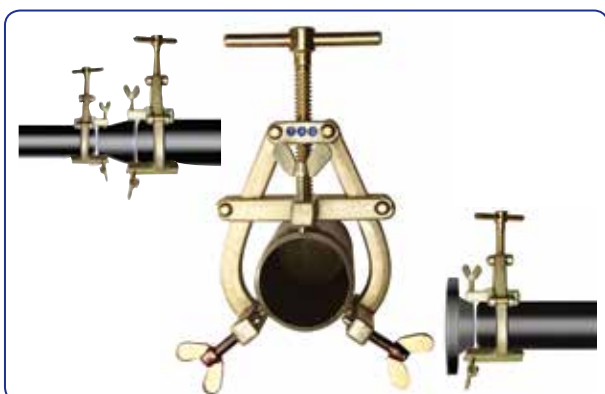


## TAG 'E-Z' Fit Red Pipe Clamps

1"–12" o/d

As the name suggests the "E-Z' fit" pipe clamps are quick and easy to use. Three sizes of clamps are available covering a range of pipe from 1" to 12" nominal bore. Instant centring combines speed accuracy and safety. These clamps are used on pipe to pipe, flanges, elbows, "T" pieces and reducers.

The 'E-Z' Fit Pipe clamps can be used on stainless steel without any additional accessories due to the feet and screws being made from stainless steel, preventing contamination of the pipe.



## TAG 'E-Z' Fit Gold Pipe Clamps

1"–14" o/d

A new addition to the 'E-Z' Fit range is the 'E-Z' Fit Gold series, boasting an increased range of up to 14" o/d and manufactured from forged steel for increased strength.

Stainless steel roller balls are fitted as standard to the wing bolts.

The 'E-Z' Gold Clamps can be used on stainless steel by fitting the optional stainless steel feet to prevent contamination.

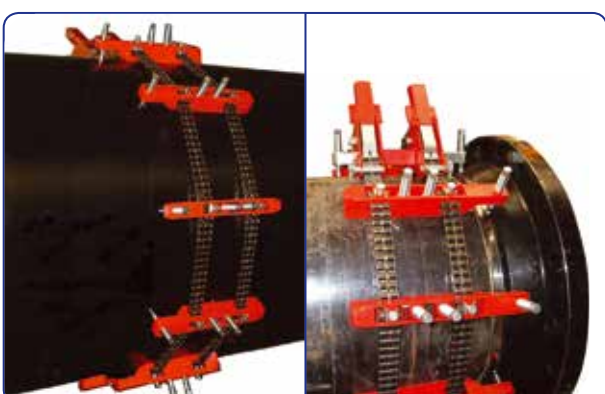


## TAG 'E-Z' Fit Single Chain Pipe Clamps

1"–72" o/d

Designed to offer the welder the best of both worlds. Firstly, a clamp with the strength and ability to align and lightly reform pipes. And secondly, lightweight design and construction for ease of use. The feet of the clamp can be positioned equally around the chain to achieve an accurate pipe alignment in very little time.

The 'E-Z' Fit Single Chain Clamp can fit up elbows, T-pieces, flanges, end caps and most other pipe fittings. Models are available for carbon and stainless steel.



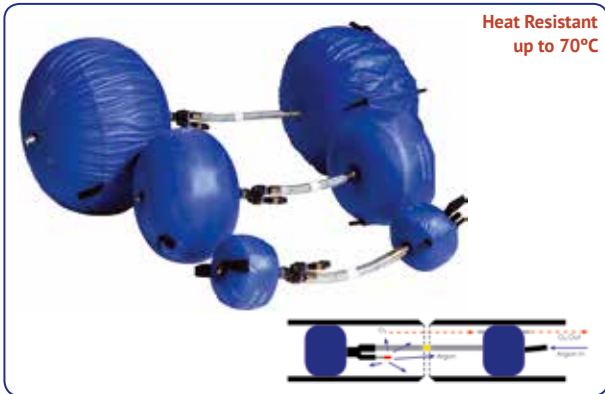
## TAG 'E-Z' Fit Double Chain Pipe Clamps

10"–240" o/d

Our 'E-Z' Fit range of Double Chain Clamps are designed for the aligning and reforming of pipes and vessels with diameters up to 6 meters (20') with large schedules, our design can reform up to schedule 80 and align all schedules.

Our Specialized heavy duty clamping feet and double chain lock devices can deal with the most difficult of reforming jobs with operational ease. These clamps can be supplied for use with Carbon or Stainless Steel, and all clamps are supplied in their own durable colour coded storage cases. These clamps are the strongest on the market.

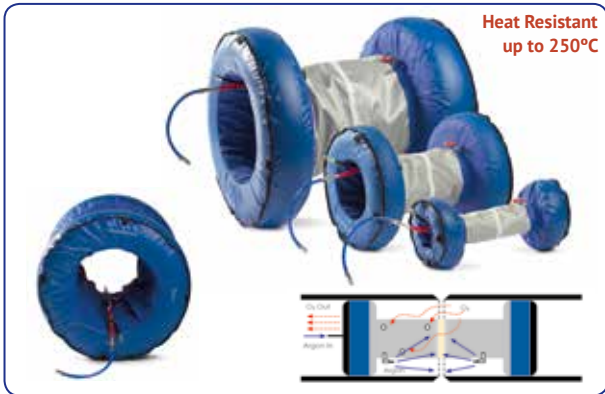
# PIPE PURGING EQUIPMENT



## TAG Purge Bag Systems

2" - 24"

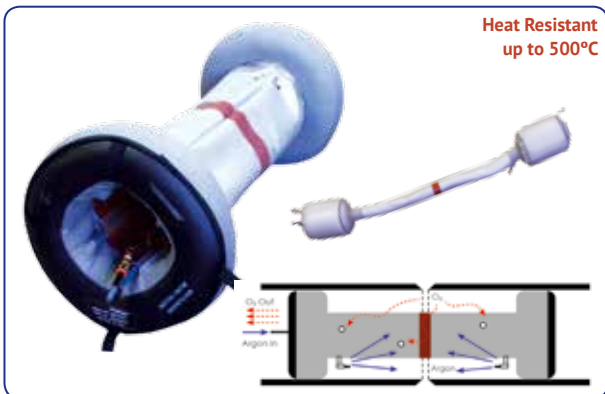
Our Inflatable Pipe Purging Systems are designed to maximise time and minimise cost. Two inflatable bladders are joined by a braided gas hose. Using inert gas (such as argon) to first inflate both bladders on either side of the weld before releasing the gas (via a pre set valve) into the chamber they have created, forcing the oxygen out through exhaust tubes built into the bladders. The Oxygen is removed so the welder can weld the pipes without the risk of oxidation. Once the gas flow is stopped the bags deflate and are easily removed from the pipe. Used in conjunction with our Oxygen Monitors, these systems enable the welder to produce highest quality welds in very little time and with no Oxidisation.



## TAG Rapid Purge Bag System

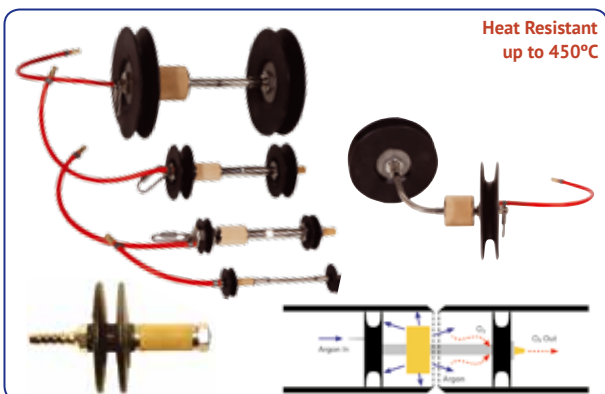
6" - 80"

The Rapid Pipe Purge systems take gas purging to the next level. The inflatable bladders are housed in heat resistant material, the unique design of these systems means that the area to purge is further reduced, by localising it to the weld root. Whether 6" or 80" pipe, these lightweight, yet rugged systems allow easy withdrawal from the pipe once deflated, even round bends and elbows! For fast, precise welds, with minimal gas usage, Rapid Purge is the solution for every pipe welder when the weld quality of exotic material is critical. Used in conjunction with our Oxygen Monitor, these systems enable the welder to produce highest quality welds in very little time and with no Oxidisation.



## TAG Heat Resistant Purge Systems 2" upwards

The TAG Pipe Purge Bag, Rapid Purge Systems and Inflatable Pipe Stoppers are all available as heat resistant versions. Designed for use when high temperatures will be encountered during the process of pipe welding; such as pre-heated pipework, and pipes where very high temperatures are required for welding. These versions of our inflatable Pipe purging systems are heat resistant up to 350°C (572°F) for up to 24 hours, or up to 500°C for short periods of time, as with the standard systems, the heat resistant systems are available for all pipe diameters from 3" to 80" (75 to 2035mm).



## TAG Double Seal Purge System

1/2" - 12"

The TAG Double Seal System is the latest innovation in purging processes and has been designed to further reduce both inert gas use and purging time. The gas is diffused into the chamber through a built in diffuser in the rigid, flexible or spring braided hose and exits through the exhaust holes in the first double disc unit. This process of gas diffusion provides an even flow of gas and prevents any gas turbulence behind the weld, thereby minimising the risk of oxygen in the welding chamber while, at the same time, achieving an extremely short purge time. Used in conjunction with our Weld Purge Monitors, these systems will give you extremely short purge times result in valuable cost savings in gas and time.



## TAG Gas Cylinder Purge Systems 8" upwards

Gas Cylinders are available for pipes from 200mm to 1000mm diameter. These tools have two heat-resistant sealing lips, taking 300°C for up to one hour. These cylinders have extremely short purge times of 1½ - 2½ minutes for all dimensions.

The Gas cylinders are designed with pull-through balls to enable the unit to be easily retrieved out of a straight section of pipe, or a pipe with a series of bends or elbows. The purge area is isolated, so there is no need to purge the entire area of pipe to be welded, thereby minimizing gas usage.

# PIPE PURGING EQUIPMENT



## TAG Expanding Pipe Stoppers

### STEEL - NYLON - ALUMINIUM

Pipe stoppers, or drain plugs as they are sometimes known, are used to temporarily seal the end of a pipe or opening for many different testing applications. Pipe stoppers are mainly used to seal off from water, gases and foreign objects in newly laid pipes, or pipework systems that are under repair.

TAG's range of Pipe stoppers are available in a number of different styles to suit many applications for pipe sizes from 1/2" to 72". Special Pipe stoppers are also available for pressure testing.



## TAG Inflatable Pipe Stoppers

2" upwards

TAG offer a range of shapes and sizes of inflatable stoppers, suitable for all applications. Made from a natural rubber bladder covered in waterproof polyurethane coated nylon (or a heat resistant nomex/kevlar mix) to prevent friction and static electricity build up.

Through tubes can be supplied with the stoppers when they are required for weld purging applications.

When deflated, the inflatable stoppers can be inserted and withdrawn with ease.



## 'E-Z' Purge, Water Soluble Paper & Film

### Water Soluble Purging solutions

'E-Z' Purge is a pre-formed, self-adhesive water soluble purge dam that enables welders to save time on weld preparation as well as improve project timelines.

TAG's water soluble paper is also available on the roll so the welder can make their own purge dams when required. Also available in the range is the Liquifilm, a water soluble plastic film ideal for use as a purge barrier during TIG welding when traditional purging systems are unsuitable.



## Purging Tapes

### Purge Gas Retaining Tape & Fibreglass Weld Backing Tapes

'E-Z' Zone Tape is used to seal the root gap between pipes to trap Argon gas, but in a most innovative way! The adhesive edges stick to the area surrounding the root gap on the pipes with the adhesive free "zone" being placed over the weld. The adhesive never comes in contact with the pipe as it is welded, creating a clean, contaminant-free weld. 'E-Z' Zone Tape is halogen and fluorocarbon free.

**FiBack Tape** is a heat resistant aluminium tape with a woven fibreglass centre strip, designed to eliminate or reduce the need for purging and create a weld pool enclosure.



## 'E-Z' Wipes

### Multi-purpose saturated cleaning wipes

Machine and fabrication shops have a tendency to be dirty, dusty and greasy places; shops are where the work gets done. Welders and pipe-fitters know better than anyone though, that cleanliness is of paramount importance to all welds. Knowing this, TAG has introduced a product to combat grime in the busiest shops and on the filthiest pipes.

When using the 'E-Z' purge, water soluble paper, film or tape, use 'E-Z' wipes for the best results.

# PIPE PURGING EQUIPMENT

NEW & IMPROVED



## TAG Handy Purge 100SC New Improved Self Calibrating Weld Purge Monitor

Measures Oxygen down to 0.01% (100ppm)

The Handy Purge 100SC is a lightweight, yet robust handheld, entry level, toolbox weld purge monitor, measuring the level of Oxygen to 0.01% (100 parts per million). Suitable for many exotic material pipe weld applications.

This latest model uses an upgraded sensor and features Self Calibration, for increased accuracy, and speed of monitoring.

Used in conjunction with TAG purging systems the Handy Purge 100SC will dramatically reduce both inert gas usage and purging times.



## TAG Handy Purge 100 Plus Weld Purge Monitor

Portable, self-calibrating, digital oxygen monitor with integral pump. Measures Oxygen levels down to 0.01% (100ppm)

The Handy Purge 100 Plus Oxygen Monitor is designed specifically for the welding industry where the monitoring of purge gasses is important. It is a microprocessor-controlled, rechargeable battery powered portable oxygen monitoring device.

The Handy Purge 100 Plus Weld Purge Monitor is designed to measure accurately the ppm of oxygen in the weld area, alerting the welder immediately when purging is complete so there is no waste in time or gasses.



## TAG Handy Purge Pro 5 Weld Purge Monitor

The most accurate handheld digital oxygen monitor  
Measures oxygen levels down to 0.0005% (5ppm)

The Handy Purge Pro 5 is the Rolls Royce of portable Oxygen monitors, measuring the level of oxygen in the designated atmosphere down to 5 ppm!!!

The new Handy Purge Pro 5 Weld Purge Monitor is essential for reading oxygen levels for titanium welding. A rechargeable battery pack and multi range power plug are standard features of the Handy Purge Pro 5, and light weight and ergonomic shape make it the ideal portable instrument for all orbital welding applications.



## TAG Pro Purge 1 Weld Purge Monitor

Measures Oxygen levels down to 0.00005% (0.5ppm)

The Pro Purge 1 Weld Purge Monitor is the ideal tool for many welding applications where critical weld standards are required. Used for Production of Semi-conductors, Nuclear, Aerospace, Pharmaceutical, Energy, Dairy, Brewery and Food processing where strict welding guide lines to eliminate weld-quality issues associated with atmosphere contaminated welds are required.

The Pro Purge 1 Weld Purge Monitor contains a stabilised zirconium oxide cell with a regulated heater to maintain a cell temperature of 750°C which enables it to accurately measure levels down to as low as 0.5 ppm.



## Fitup, Layout & Marking Tools

TAG supply a comprehensive range of measuring, marking and layout tools for all pipe fitting and welding applications. The range of products includes: Wrap arounds, contour markers, combination adapters, centering heads, Flange aligners, Radius Markers, burning guides and soapstones.

TAG offer a complete range of marking, measuring and layout tools and accessories for the Pipe fitter/welder.

Rotary Earth Clamps are simple yet effective tools for eliminating earth lead twisting & tangling during workpiece rotation. Providing a stable earth for circumferential welding of pipes and fittings and eliminating weld pinholes & imperfections caused by poor earthing.

# TUNGSTEN ELECTRODE GRINDERS



## TAG Handy Point Plus Tungsten Grinder

### The elite handheld grinding machine for tungsten electrodes

The Handy Point Plus is a portable Tungsten grinder, that is both environmentally friendly and has the ability to grind repeatable quality points on Tungsten electrodes for TIG and plasma welding. The Handy Point Plus is equipped with an integrated, replaceable dust filter, protecting the operator and the environment against the potentially harmful dust produced during electrode grinding.

Available in 110v or 230v power.



## TAG Pro Point Tungsten Grinder

### The dedicated workshop tool

Precise and accurate grinding of tungsten electrodes with repeatable points every time. TAG's Pro Point Tungsten Electrode Grinder allows you to grind your tungsten electrodes in precisely the correct technical manner to provide stable arc performance.

The Pro Point Tungsten Grinder has a multi holed guide for the accurate grinding of tungsten electrodes from 1.6 to 4.0mm. Optional extras include a collet guide for the grinding short electrodes for orbital welding systems and a vacuum dust extraction system to allow safe removal of potentially harmful dust particles. Available in 110v or 230v power supply.



## TAG Pro Point Plus Tungsten Grinder

### The ultimate in electrode grinding for optimal TIG-welding

The Pro Point Plus patented wet grinder demonstrates an eco friendly way to grind perfect, accurate angles on tungsten electrodes – and therefore perfect TIG-welding. Pro Point Plus is constructed with a unique disposal container that automatically collects all toxic dust particles, eliminating the need for a separate exhaust system. Cold wet grinding combined with the diamond wheels high grinding speed ensures that the tungsten electrode always has a polished and even surface.

The Pro Point Plus is also available with a cutting wheel to allow the cutting of electrodes as short as 10mm, perfect for orbital welding systems. Available in 110v or 230v power supply.



## OTHER PIPE EQUIPMENT

### Pipe Buggy

up to 12"

#### The safe and easy way to move pipe around the job site

The Pipe Buggy offers a safe method of handling and moving pipes of up to 6.1m in length and 450 kg around the workshop or site easily, avoiding damage to the pipe as a result of it being dragged along the ground.

At only 31.8 kg it is a light weight yet robust solution to pipe handling problems. With its innovative handle and ratchet strap it allows the operator to lift the pipe from the floor onto the buggy with minimal effort. Our Pipe Buggy comes as standard with flat free tyres.

### Pipe Rotators

#### Automated & Semi-Automated Work handling Systems

**Max Drive Cap: 1.0 Tonne**

**Turning Capacity: 115 - 500mm**

**Wheel Linear Speed: 0.2 – 2m/min**

Our NEW entry level 1 ton rotator set (1 drive unit + 1 idler) with foot pedal control, and fine speed adjustment, is proving to be most popular in fabrication workshops across the globe!



# OUR PARTNERSHIPS...



PIPE & INDUSTRIAL TOOLS

## PIPE RIGGING EQUIPMENT

We are proud to introduce **B&B Pipe and Industrial Tools LLC** a sister company of **TAG PIPE** based in Houston, Texas, USA.

**B&B** are engaged in mirroring business activities of **TAG PIPE**, however, in addition, manufacture their own range of Pipe Rigging rollers and slings that we are pleased to promote on their behalf outside of North & South America.

### Pipe Rack Rollers & Launchers

Features & Advantages:

- Eight configurations from 2,500lbs to 10,000lbs capacity
- Two sizes from 2"–48" pipe diameters
- Urethane wheels with sealed bearings
- Easy replace wheels bolt off and on in minutes
- Charges from rack roller to pipe launcher in minutes



### Slings & Cradles

B&B Pipe Slings and Cradles are heavy duty pipeline rigging equipment built for years of hard use.

Available sizes from 2"–24" pipe and upto 28,000lbs capacity with urethane pipe shape wheels and sealed bearings.

All four sizes use 5/8 wire rope tested to industry standards, with oversized lifting eye and reinforced spreader bars.



[www.BBPIPETOOLS.com](http://www.BBPIPETOOLS.com)



## HEAT EXCHANGER, BOILER & TUBE BUNDLE EQUIPMENT



**TAG PIPE** is proud to be the UK's Exclusive/sole Distributor of the **Maus Italia** range of Tube Tools for both the production and maintenance of Heat Exchangers, Condensers, Boilers and Tube Bundles.

### Products include:

- Tube Expanders
  - Tube Expanding Machines
  - Tube Cutting Tools and Machines
  - Tube Rolling Machines
  - Tube Pulling Tools and Machines
  - Tube to Tube sheet Welding Technology
  - Tube Bundle Extraction, Cutting and Transportation Equipment
- \*AND MUCH MORE\*



[www.MAUSITALIA.IT](http://www.MAUSITALIA.IT)



PIPE EQUIPMENT SPECIALISTS



## MANIPULATION AND AUTOMATION EQUIPMENT

We are proud to introduce **PES (Pipe Equipment Specialists BVBA)** as a wholly owned subsidiary of TAG PIPE based in Belgium.

**PES** are engaged in a continuous research and development program to provide welding automation and manipulation equipment and systems geared to the fast changing needs of the welding industry for welding & cladding / overlay.

**PES** has partnerships with some of the world's leading companies in their respective fields and offers cross-integration solutions, consultancy and training activities.

**PES** are specialist manufacturers, designers, innovators and integrators of a wide range of manipulation and automation equipment for fabrication workshops and on site activities.

### Main work scopes:

- Welding automation and integration
- Manipulation equipment
- Cladding / overlay systems
- Circle welders and cutters
- Refurbishment and upgrade programs of existing manipulation equipment
- Tailor-made solutions on request

### Some of the equipment we offer includes:

- Column and booms: size from 2m x 2m up to 15m x 15m (front load weight capacity standard 400kg or 800kg)
- Welding positioners: weight capacity from 0.6 ton till 150 ton (various types)
- Welding rotators: weight capacity from 1 ton till 2000 ton (various types)



PIPE EQUIPMENT SPECIALISTS

**PIPE EQUIPMENT SPECIALISTS BVBA**  
Mosten 13, 9160 Lokeren, Belgium

Tel: +32 (0)9 395 20 38  
E-mail: [info@pes-europe.com](mailto:info@pes-europe.com)





# PIPE EQUIPMENT SPECIALISTS LTD PRODUCTS INCLUDE:

### PIPE BEVELLING MACHINES



### PIPE CUTTING MACHINES



### PIPE ALIGNMENT CLAMPS



### PIPE STANDS & ROLLERS



### PIPE PURGING EQUIPMENT



### PLATE BEVELLERS



*Our company policy is one of continuous improvement. Products may change or vary from those illustrated.*



## Head Office

**TAG PIPE EQUIPMENT SPECIALISTS LTD**

Unit 15 & 16 Grendon Industrial Estate, Grendon Underwood,  
Aylesbury, Buckinghamshire, HP18 0QX England  
Tel: +44 (0)1869 324 144 E-mail: sales@tag-pipe.com

## Overseas Branches



### USA Branch

TAG PIPE EQUIPMENT SPECIALISTS INC  
527 Michigan Street, South Houston  
Houston, Texas 77587, USA  
Tel: +1 713 747 8502  
E-mail: sales-usa@tag-pipe.com



### Europe Branch

TAG PIPE EQUIPMENT SPECIALISTS BVBA  
Mosten 13, 9160 Lokeren  
Belgium  
Tel: +32 (0)9 395 2038  
E-mail: sales-europe@tag-pipe.com



### Middle East Branch

TAG PIPE EQUIPMENT SPECIALISTS FZE  
Al Itihad Street, P.O. Box 3763  
Dubai, United Arab Emirates  
Tel: +971 (0)52 701 0930  
E-mail: sales-me@tag-pipe.com



### India Branch

TAG PIPE EQUIPMENT SPECIALISTS PVT  
Plot No. PAP 3, D 3 Block,  
Chinchwad, Pune 411 019  
Tel: +91 (0)9011 024 332  
E-mail: sales-india@tag-pipe.com



### Asia Branch

TAG PIPE EQUIPMENT SPECIALISTS PTE  
Yinhe Bridge West, Beichen District  
Tianjin, China  
Tel: +86 139 2001 5417  
E-mail: sales-asia@tag-pipe.com